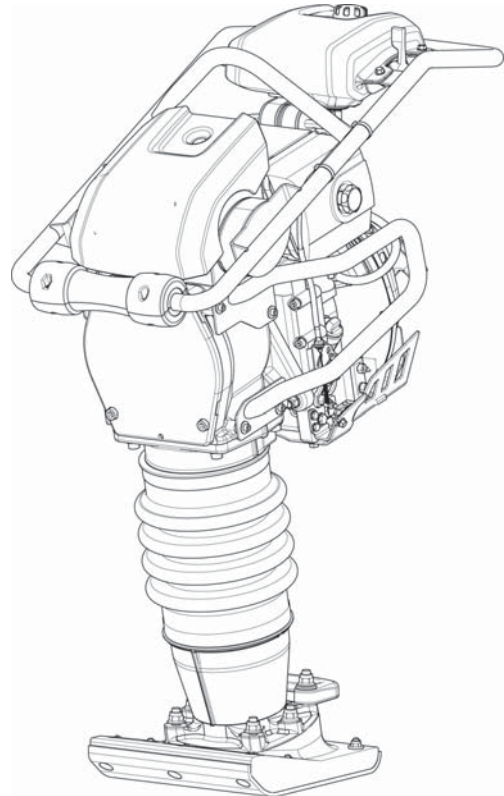


Spare parts list

Rammer

	Valid from serial number
LT 8005 280 mm, (11 in.)	BGF000001
LT 8005 330 mm, (11 in.)	BGF000001



General information

This spare parts list applies to the following:

Part number	Description
3382 0005 49	Rammer LT 8005 280 mm, (11 in.).
3382 0005 81	Rammer LT 8005 330 mm, (13 in.).
3382 0005 82	Rammer LT 8005 280 mm, (11 in.). EPA
3382 0005 83	Rammer LT 8005 330 mm, (13 in.). EPA

Use only authorized parts. Any damage or malfunction caused by the use of unauthorized parts is not covered by Warranty or Product Liability. Any unauthorized use or copying of the contents or any part thereof is prohibited. This applies in particular to trademarks, model denominations, part numbers, and drawings.

Instructions for use

This spare parts list contains no safety regulations and is merely intended to assist in the ordering of spare parts.

For information about operating, servicing, or repairing, the relevant Safety and operating instructions must be consulted at all costs.

Please observe the safety instructions listed in the relevant Safety and operating instructions!

Contents

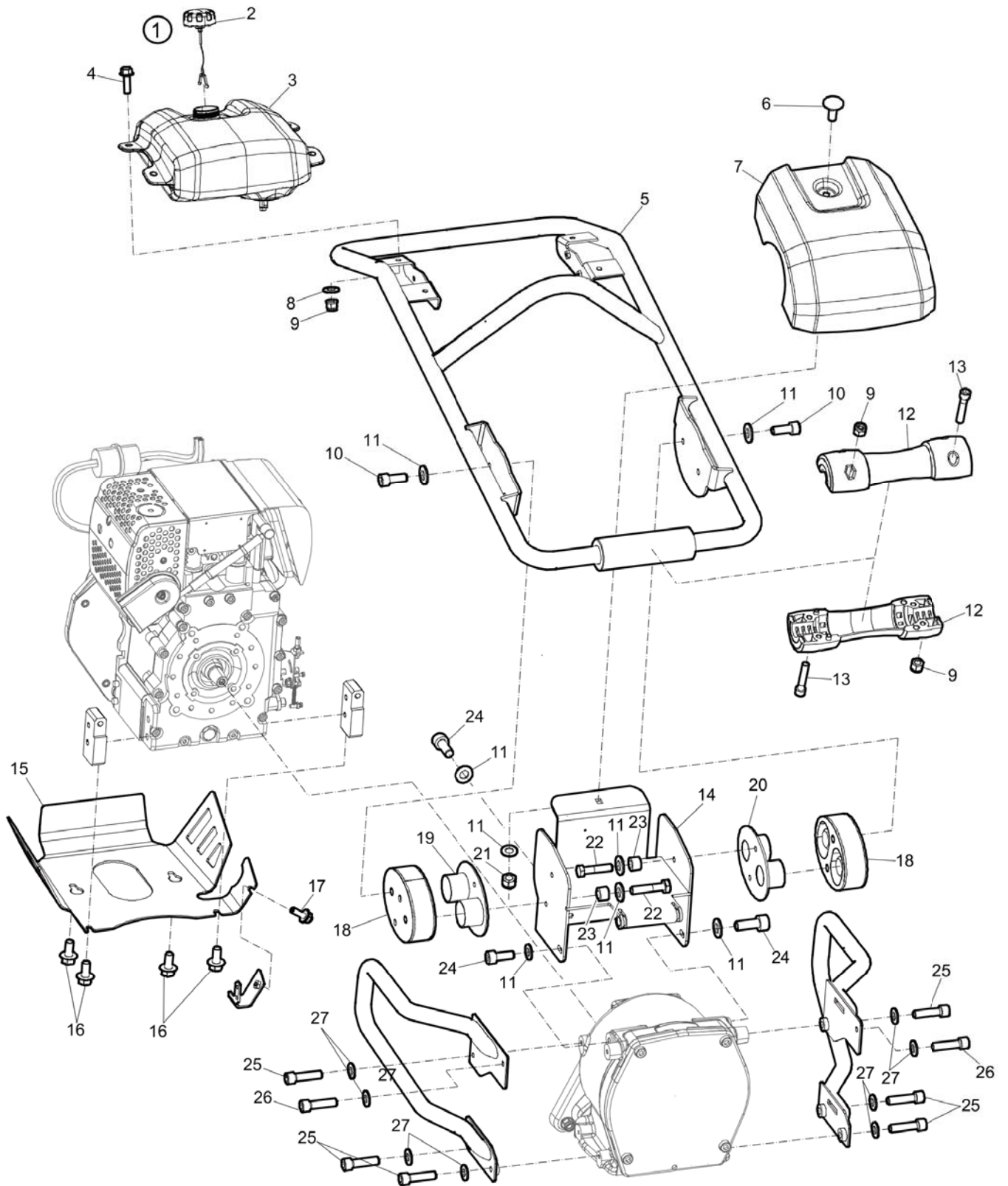
Spare parts list

Handle 1
Transmission 3
Spring unit 5
Foot 280 mm (11 in.) 7
Foot 330 mm (13 in.) 9
Extended foot 11
Engine installation 13
Labels 17

Kits

One year service kit 19
Shock absorber repair kit 21
Transmission repair kit 23
Spring unit repair kit 25

Spare parts list Handle

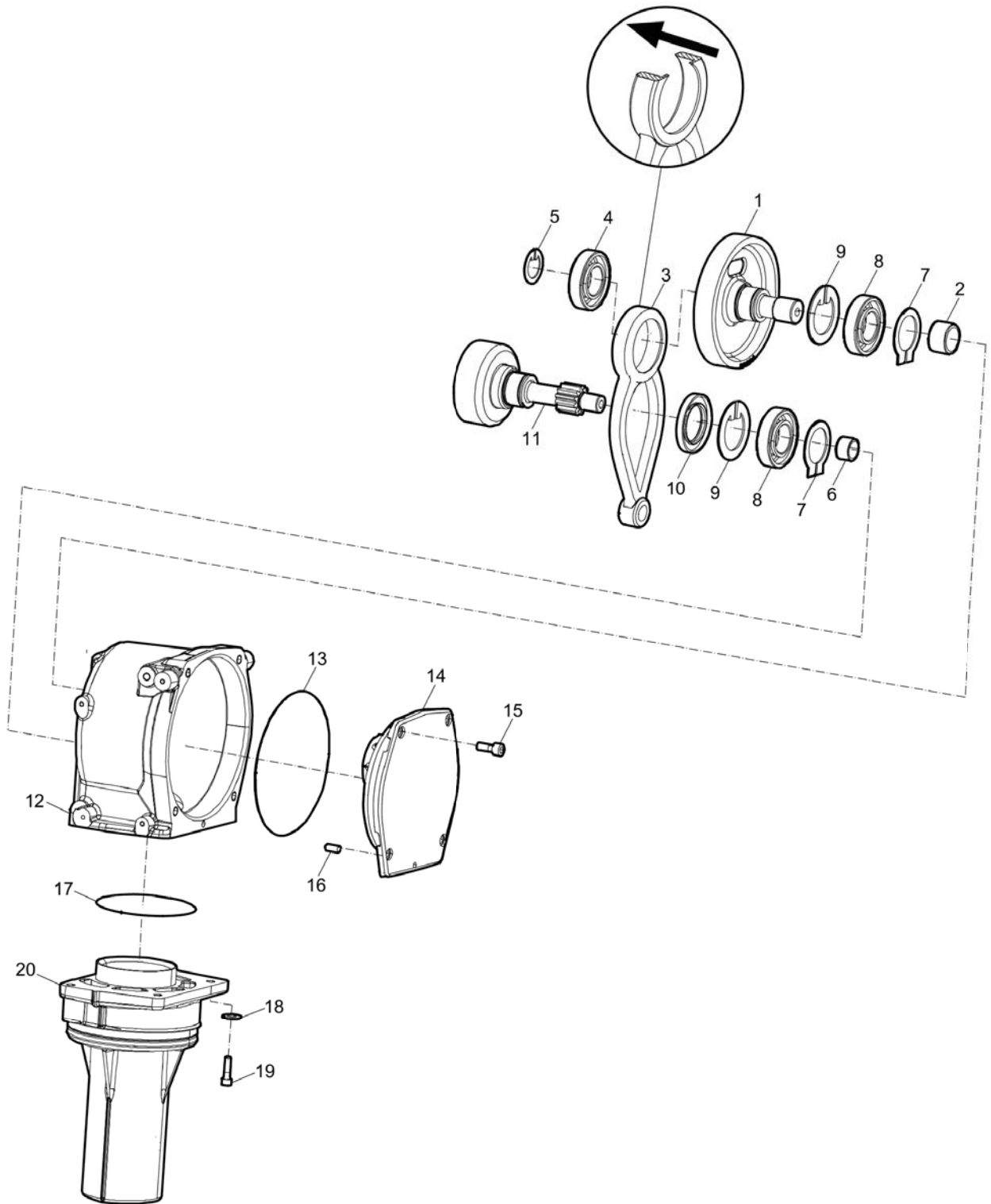


Refer to Parts Online for the most up to date information. The printed information might be outdated.

Fri Dec 11 06:42:26 MST 2015

Item	Part No.	Name	Qty	L
1	-	Fuel tank, complete	1	
2	3382011626	Fuel cap	1	
3	-	Fuel tank	1	
4	0147300008	Screw, M6 x 20 mm	4	
5	3382014247	Handle	1	
6	0226991532	Flat head screw	1	
7	3382011356	Hood	1	
8	0301232100	Plain washer 6.4 x 12 x 1.6	4	
9	0291112815	Nut	8	
10	0211132603	Hexagon socket head cap screw	4	
11	0301233500	Plain washer 8.4 x 16 x 1.6	13	
12	4700384496	Roller	2	
13	0211125003	Hexagon socket head cap screw	4	
14	3382013063	Bracket	1	
15	3382014174	Engine cover	1	
16	0147300077	Screw	4	
17	9234000299	Screw, M6SF 6 x 16 mm	1	
18	3382014162	Shock absorber	2	
19	3382014165	Angle stop, right	1	
20	3382014161	Angle stop, left	1	
21	0291112818	Locknut	1	
22	0147132703	Screw M 8x 35	4	
23	3382012906	Spacer	4	
24	0211132303	Hex sock screw	4	
25	0211124703	Hex. Sock screw, M6x20, 8.8	3	
26	0211124603	Hex sock. screw M6 x 16		
27	0300027464	Washer DIN9021	8	

Spare parts list Transmission

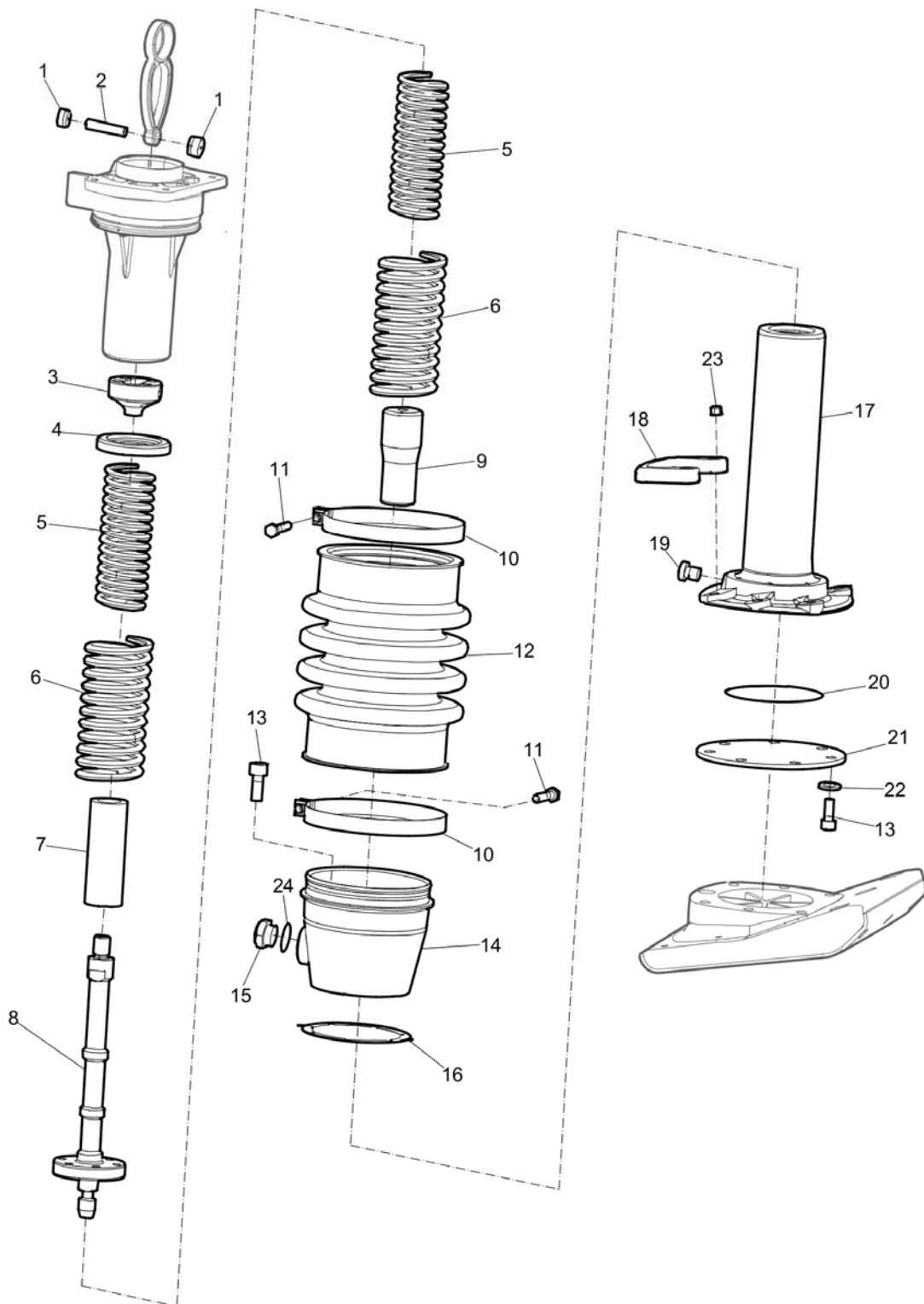


Refer to Parts Online for the most up to date information. The printed information might be outdated.

Fri Dec 11 06:42:27 MST 2015

Item	Part No.	Name	Qty	L
1	4700381965	Gear wheel	1	
2	4700904950	Needle bearing	1	
3	4700380920	Connecting rod	1	
4	4700111078	Ball bearing	1	
5	0335112700	Retaining ring for shaft	1	
6	4700904949	Needle bearing	1	
7	0335113600	Snap ring	2	
8	4700903520	Bearing	2	
9	4700151025	Snap ring	2	
10	4700904952	Sealing	1	
11	4700381964	Shaft	1	
12	3382011251	Crankcase	1	
13	4700160106	O-ring	1	
14	4700377332	Cover	1	
15	0211136203	Screw DIN912	4	
16	0101235700	Pin	1	
17	4700160035	O-ring	1	
18	4700904230	Washer 10.5x22x2 mm 300 HV	4	
19	4700508053	Screw	4	
20	3382012440	Outer tube	1	

Spare parts list Spring unit

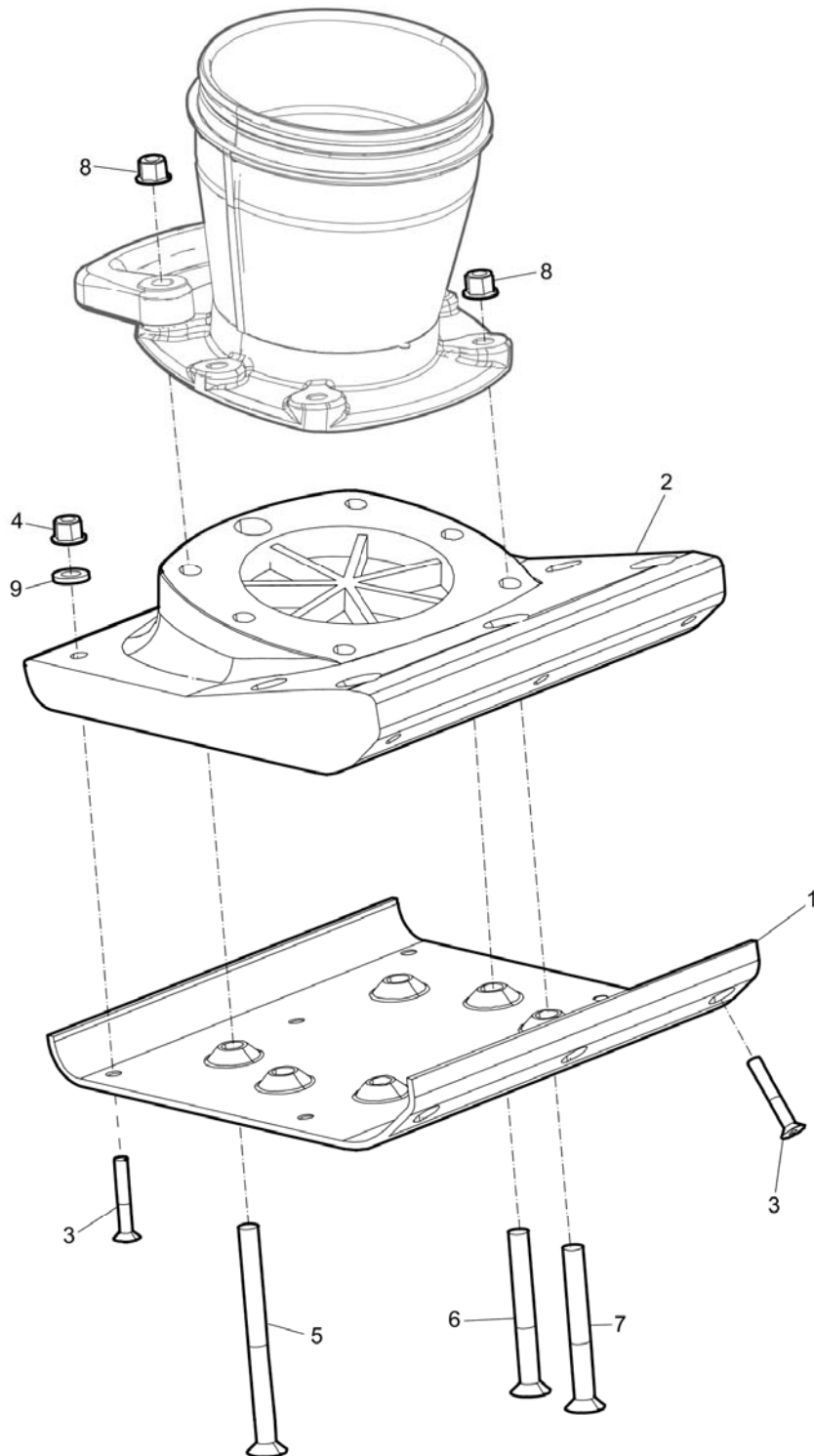


Refer to Parts Online for the most up to date information. The printed information might be outdated.

Fri Dec 11 06:42:28 MST 2015

Item	Part No.	Name	Qty	L
1	4700381482	Plug	2	
2	4700381479	Piston bolt	1	
3	4700381961	Rod piston head	1	
4	4700383681	Lid	1	
5	4700380895	Spring	2	
6	4700380894	Spring	2	
7	4700380899	Stop	1	
8	4700383668	Rod piston	1	
9	4700380902	Stop	1	
10	4700283631	Hose clamp	2	
11	4700500023	Screw, M8 x 40 mm 8.8 A2K	2	
12	4812070541	Bellows	1	
13	4700508092	Screw	12	
14	4700388409	Bellows support	1	
15	4700791395	Sight plug	1	
16	4700383666	Gasket	1	
17	4700383669	Inner tube	1	
18	4700384416	Handle	1	
19	4700904951	Plug	1	
20	4700160054	O-ring	1	
21	4700382369	Lid	1	
22	4700162009	Seal ring	6	
23	0291112845	Nut, M12, 10.9	2	
24	4700791376	Fiber washer	1	

Spare parts list Foot 280 mm (11 in.)

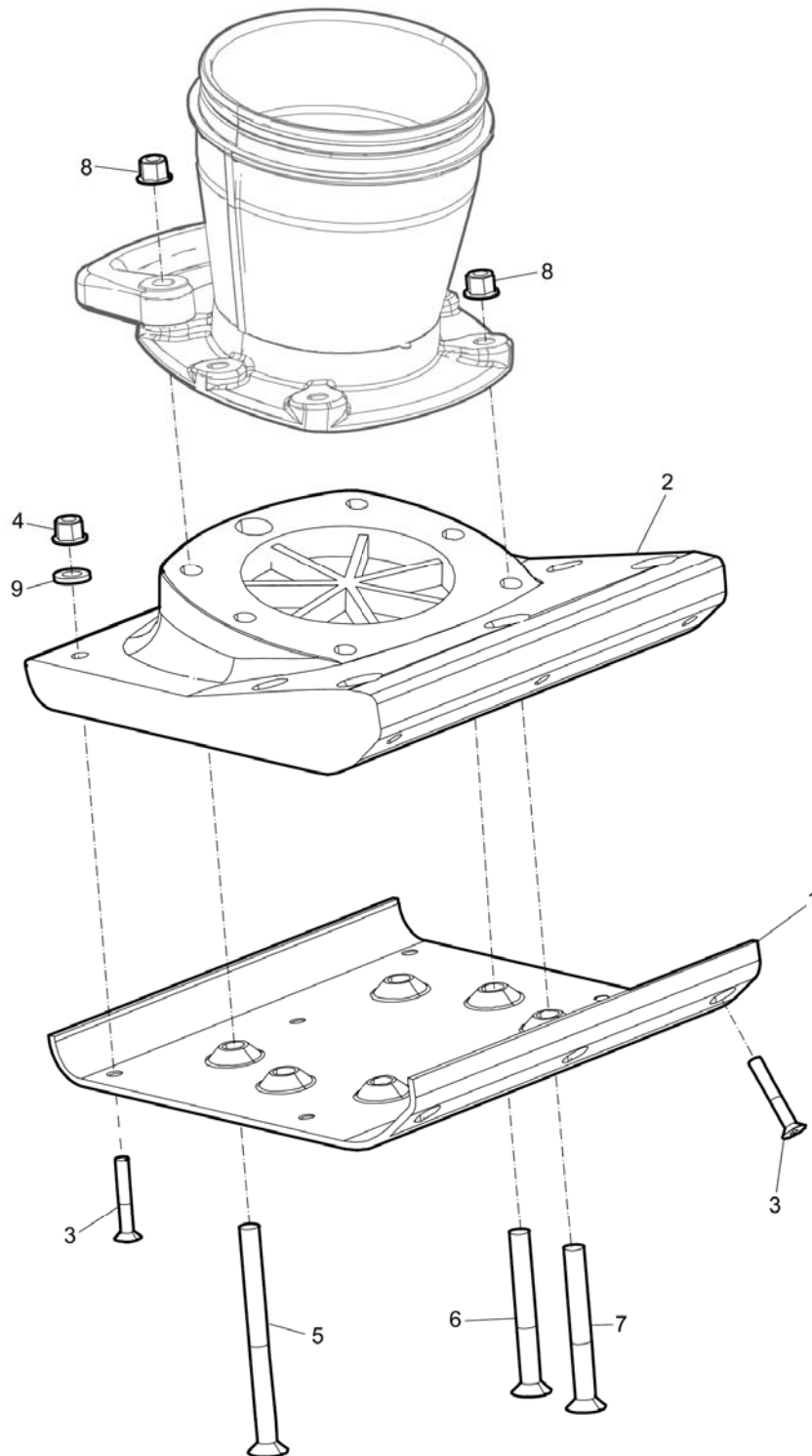


Refer to Parts Online for the most up to date information. The printed information might be outdated.

Fri Dec 11 06:42:29 MST 2015

Item	Part No.	Name	Qty	L
1	3382011358	Ground plate	1	
2	4700382366	Foot	1	
3	0226991801	Screw, M8 x 50 mm 8.8, DIN605	8	A
4	0291112819	Lock nut, M8	8	
5	0226991804	Screw, M12 x 150 mm, 10.9, DIN608	2	B
6	0226991803	Screw, M12 x 110 mm, 10.9, DIN608	2	B
7	0226991802	Screw, M12 x 100 mm, 10.9, DIN608	2	B
8	0291112845	Nut, M12, 10.9	6	
9	4700904640	Washer, 8.4x22x3 mm 300HV	8	

Spare parts list Foot 330 mm (13 in.)

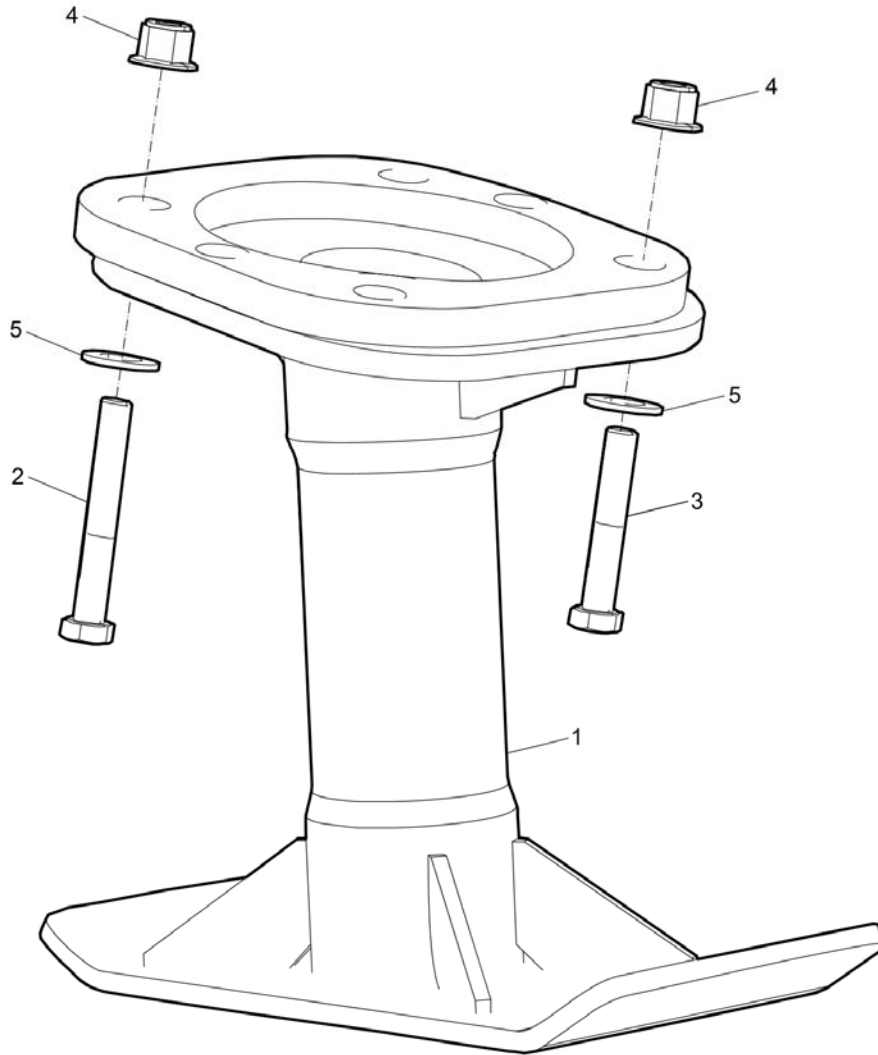


Refer to Parts Online for the most up to date information. The printed information might be outdated.

Fri Dec 11 06:42:30 MST 2015

Item	Part No.	Name	Qty	L
1	3382011487	Ground plate	1	
2	4700382981	Foot	1	
3	0226991801	Screw, M8 x 50 mm 8.8, DIN605	14	A
4	0291112819	Lock nut, M8	14	
5	0226991804	Screw, M12 x 150 mm, 10.9, DIN608	2	B
6	0226991803	Screw, M12 x 110 mm, 10.9, DIN608	2	B
7	0226991802	Screw, M12 x 100 mm, 10.9, DIN608	2	B
8	0291112845	Nut, M12, 10.9	6	
9	4700904640	Washer, 8.4x22x3 mm 300HV	14	

Spare parts list Extended foot

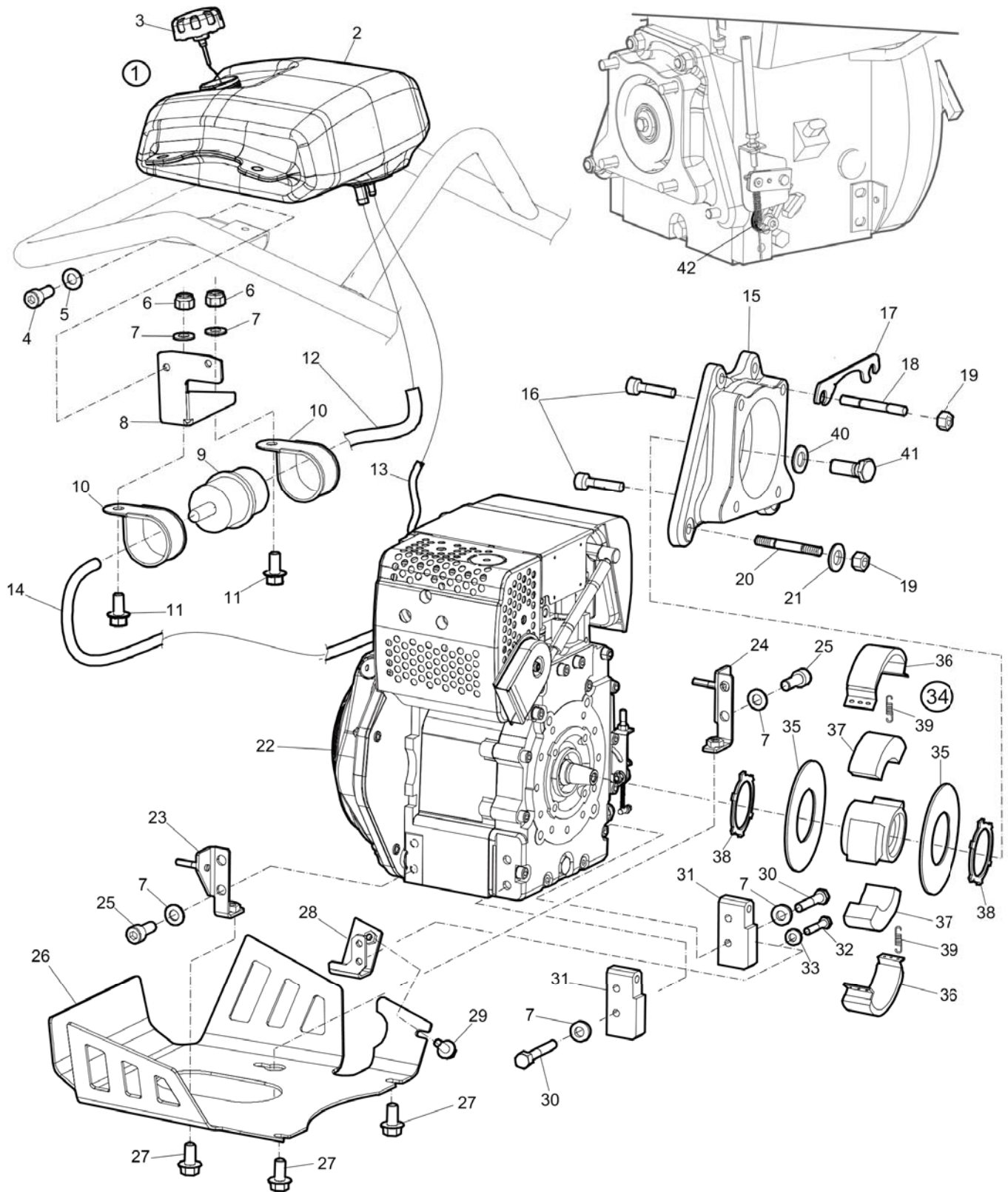


Item	Part No.	Name	Qty	L
1	4700389980	Extended foot	1	
2	4700928198	Screw, M12 x 90 mm 10.9 GEOMET®	2	A
3	4700903735	Screw, M12 x 70 mm 10.9 GEOMET®	4	A
4	-	Nut, M12 x 1.75 mm A3K	6	
5	-	Washer, 13 x 24 x 2 mm, 0.51 x 0.98 x 0.08 in. 300 HV	6	

Comments for Page: Extended foot

A | GEOMET is a registered trademark of Nof Metal Coatings North America Inc.

Spare parts list Engine installation



Refer to Parts Online for the most up to date information. The printed information might be outdated.

Fri Dec 11 06:42:33 MST 2015

Item	Part No.	Name	Qty	L
1	-	Fuel tank, complete	1	
2	-	Fuel tank	1	
3	3382011626	Fuel cap	1	
4	0211120503	Hex socket screw	2	
5	0301231800	Washer DIN125	2	
6	0291112818	Locknut	2	
7	0301233500	Plain washer 8.4 x 16 x 1.6	9	
8	3382013075	Fuel filter bracket	1	
9	-	Fuel filter	1	
10	4700921119	Pipe clamp	2	
11	0147300034	Screw M8 x 16 8.8	2	
12	-	Fuel hose	1	
13	-	Fuel hose	1	
14	-	Fuel hose	1	
15	4700387883	Adapter	1	
16	0211110478	Hex Sock screw M10X45 ISO4762	4	
17	4700387727	Support washer	1	
18	4700387443	Stud	2	
19	0291112820	Locknut	4	
20	4700387444	Stud	2	
21	4700904230	Washer 10.5x22x2 mm 300 HV	2	
22	3382011019	Engine, complete	1	
23	3382014110	Engine cover bracket, right	1	
24	3382014244	Engine cover bracket, left	1	
25	0211132303	Hex sock screw	4	
26	3382014174	Engine cover	1	
27	0147300077	Screw	4	
28	3382014112	Bracket	1	
29	9234000299	Screw, M6SF 6 x 16 mm	1	
30	0147132803	Screw	3	
31	3382013083	Engine bracket	2	
32	0147124403	Hex. head screw	2	
33	0301232100	Plain washer 6.4 x 12 x 1.6	2	
34	4700381962	Clutch, complete	1	
35	4700239820	Cover	2	
36	4700938289	Clutch lining	2	
37	-	Centrifugal weight	2	

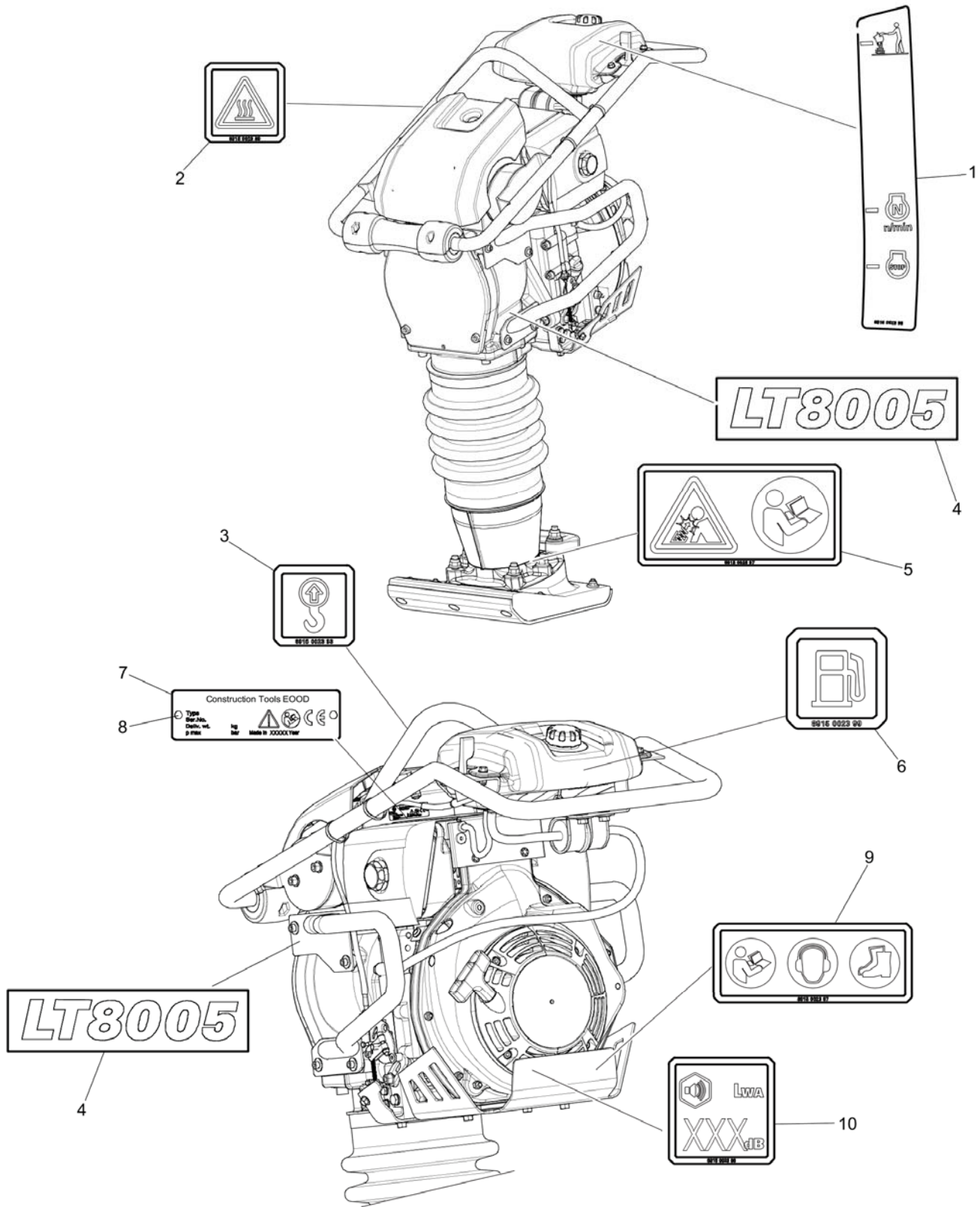
Refer to Parts Online for the most up to date information. The printed information might be outdated.

Fri Dec 11 06:42:33 MST 2015

This page intentionally left blank

Item	Part No.	Name	Qty	L
38	4700239734	Retaining ring	2	
39	4700937954	Spring	2	
40	4700904734	Washer, 8,4x26x4 300 HV	1	
41	0147132503	Hex. head screw	1	
42	4700603009	Washer, 8.4 x 25 x 2 mm, 0.33 x 0.98 x 0.12 in.	1	

Spare parts list Labels



Refer to Parts Online for the most up to date information. The printed information might be outdated.

Fri Dec 11 06:42:34 MST 2015

Item	Part No.	Name	Qty	L
1	8915002398	Label, start instruction	1	
2	8915002632	Safety label, hot surfaces	1	
3	8915002393	Label, lifting point	2	
4	8915300221	Product label "LT 8005"	2	
5	4700791088	Safety label, compressed spring package	1	
6	8915002399	Label, fuel	1	
7	-	Data plate	1	
8	-	Rivet	2	
9	8915002387	Safety label, read instructions, ear protection and safety boots	1	
10	-	Sound power label	1	

Kits One year service kit

NO EXPLODED VIEW
AVAILABLE
FOR THIS BOM

Item	Part No.	Name	Qty	L
1	4812155561	Service kit, once a year	1	
-	4700938150	Filter element	5	
-	4700937003	O-ring	1	
-	4700936989	Rope	1	
-	4700937873	Fuel filter	5	
-	4700939768	Gasket	1	

Kits Shock absorber repair kit

NO EXPLODED VIEW
AVAILABLE
FOR THIS BOM

Item	Part No.	Name	Qty	L
1	4812155281	Repair kit, shock absorber	1	
2	-	Nut, M8 x 1.25 mm A2K	8	
3	-	Screw, M8 x 20 mm 8.8 A2K	4	
4	-	Screw, M8 x 25 mm 8.8 A2K	4	
5	4700386785	Shock absorber	2	
6	4700791323	Cylindrical pin	4	

Kits Transmission repair kit

NO EXPLODED VIEW
AVAILABLE
FOR THIS BOM

Item	Part No.	Name	Qty	L
1	4812155283	Repair kit, transmission	1	
2	4700904950	Needle bearing	1	
3	4700111078	Ball bearing	1	
4	4700150009	Circlip ring	1	
5	4700904949	Needle bearing	1	
6	4700150014	Snap ring	2	
7	4700903520	Bearing	2	
8	4700151025	Snap ring	2	
9	4700904952	Sealing	1	
10	-	Nut, M12 x 1.25 mm A3K	1	
11	4700160106	O-ring	1	
12	-	Screw, M10 x 25 mm 8.8 A3K	4	
13	4700160035	O-ring	1	
14	-	Washer, 10.5 x 22 x 2 mm, 0.41 x 0.87 x 0.08 in. 300 HV	4	
15	-	Screw, M10 x 35 mm 8.8 A3K	4	
16	-	Washer, 8.4 x 26 x 3 mm, 0.33 x 1.02 x 0.12 in.	1	
17	-	Screw, M8 x 25 mm 8.8 A2K	1	

Kits Spring unit repair kit

NO EXPLODED VIEW
AVAILABLE
FOR THIS BOM

Item	Part No.	Name	Qty	L
1	4812155284	Repair kit, spring unit	1	
2	4700380895	Spring	2	
3	4700380894	Spring	2	
4	4700380899	Stop	1	
5	4700380902	Stop	1	
6	-	Screw, M8 x 20 mm 8.8 A2K	6	
7	4700383666	Gasket	1	
8	4700160054	O-ring	1	
9	-	Washer, 8.7 x 14 x 1 mm, 0.32 x 0.04 in. Type A	6	
10	-	Fibre washer, 27 x 32 x 2 mm, 1.06 x 1.26 x 0.08 in.	1	

Any unauthorized use or copying of the contents or any part thereof is prohibited.
This applies in particular to trademarks, model denominations, part numbers, and drawings.

© 2015 Construction Tools EOOD | No. 9800 1735 01 | 2015-12-11

